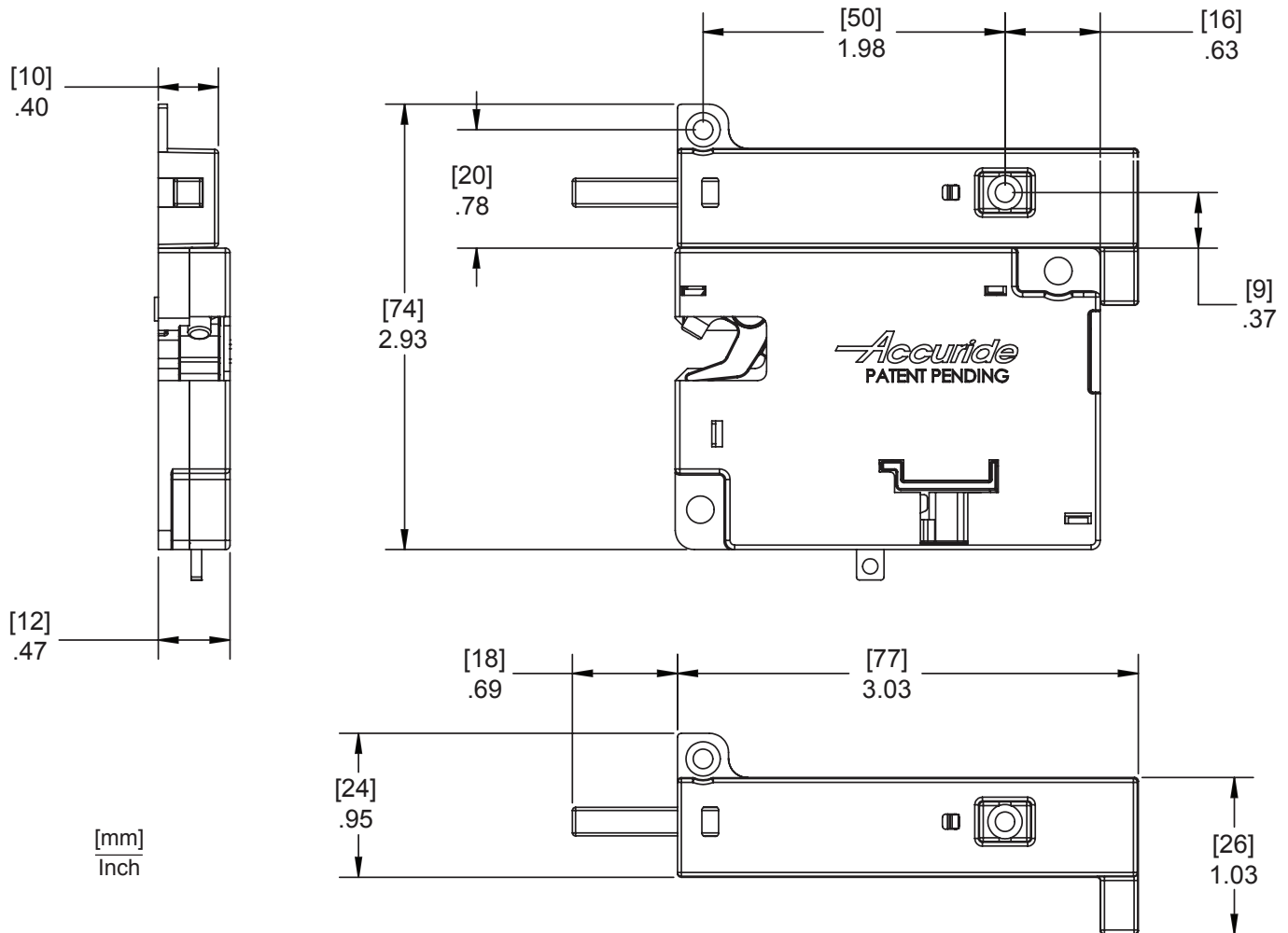


SEHDAO-Kit

Senseon Heavy-Duty Auto-Open Kit

Accessory kit for electronic locks, compatible with 10ELTR, 10ELAO, 38TREL, 38ELAO, and 3135TREL; ideal for drawers or doors requiring a heavy-duty auto-open feature. Use in situations where doors or drawers incorporate heavy materials such as solid stone or where the standard auto-open doesn't propel the door or drawer far enough. The accessory kit increases the standard Auto-Open and Touch Release opening force a maximum of 3.2 lbs.



Specifications

- Finish:** Polymer
- Height:** 1.30"
- Length:** 3.72" (open position)
- Hardware:** #4 flat head screw (included)



WARNING! Before installing the lock, you must have access to manual override lever or the activation device must be connected. **Otherwise, the lock will not unlock and open.**

SEHDAO-Kit

Senseon Heavy-Duty Auto-Open Kit

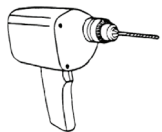


Installation Guide

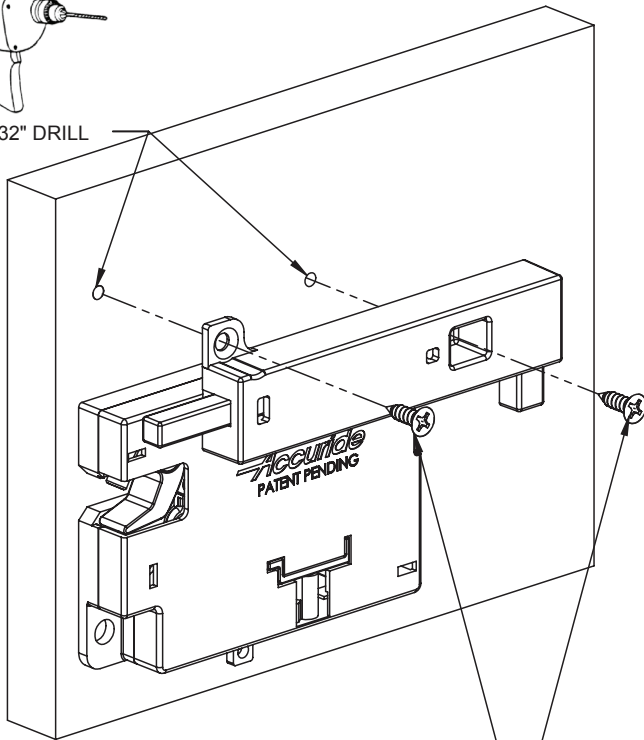
SEHDAO-Kit with Standalone Electronic Locks

Refer to figure 1 for SEHDAO accessory kit critical dimensions, installation, and positioning when the kit is used with a standalone electronic lock (10TREL and 10ELAO).

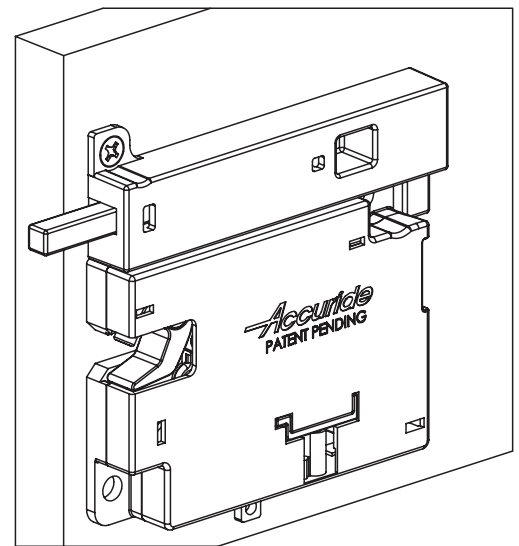
Figure 1



2X 3/32" DRILL

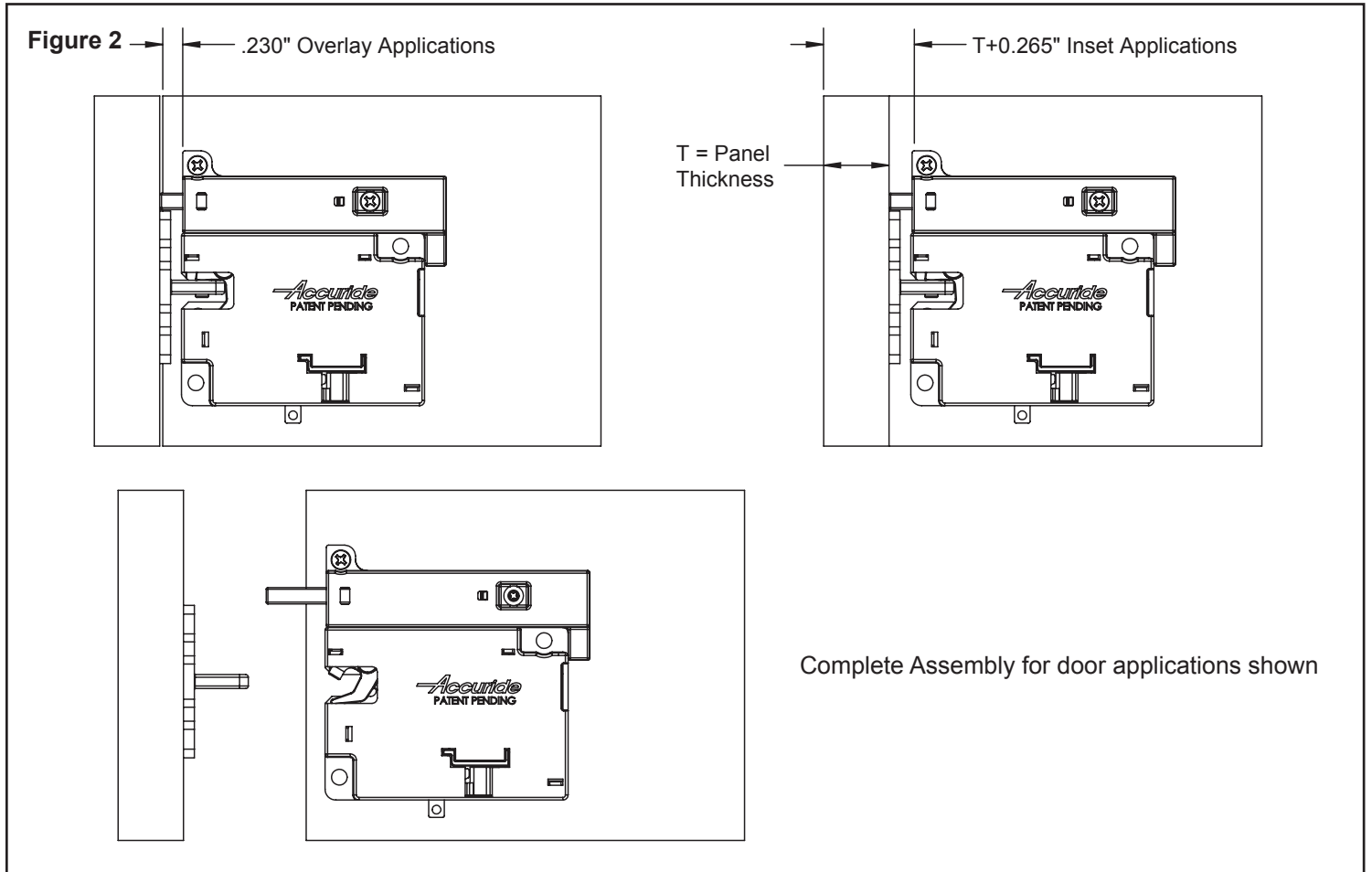


2X #4 Flat Head Screws
(included)



SEHDAO-Kit

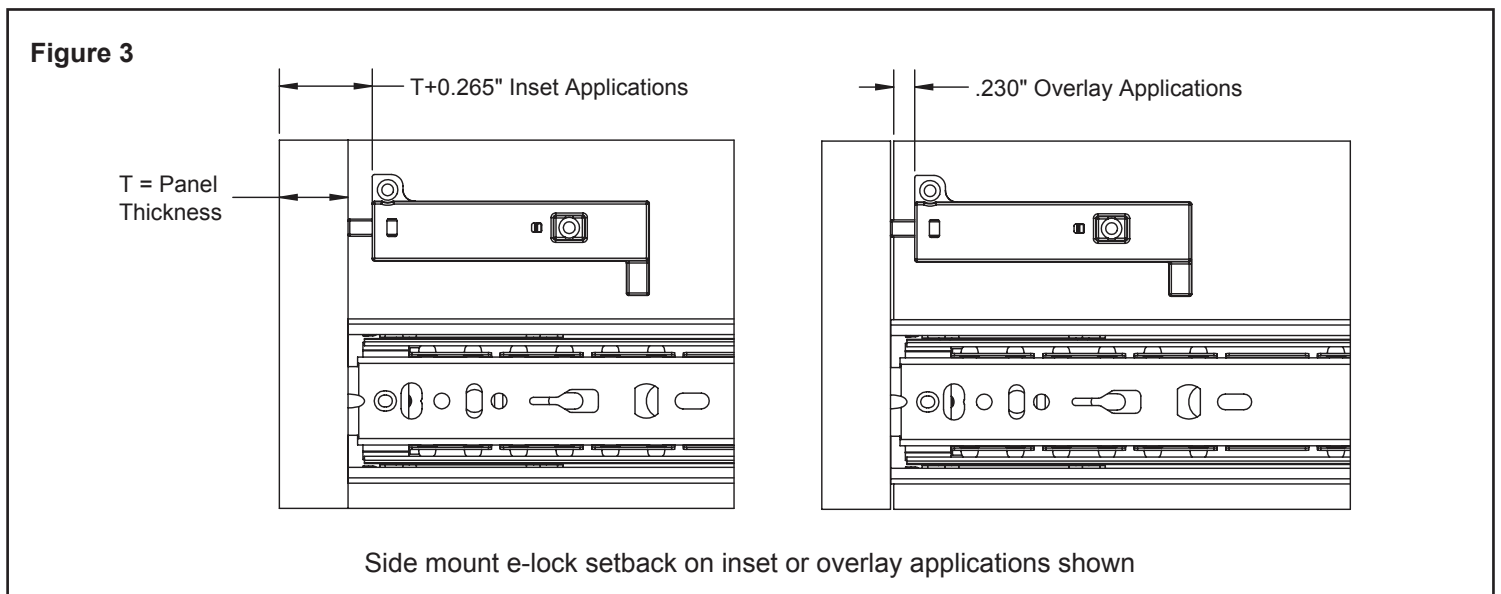
Senseon Heavy-Duty Auto-Open Kit



SEHDAO-Kit used with side mount or undermount electronic locks

The SEHDAO accessory kit can be used with side mount and undermount electronic locks (38TREL, 38ELAO, and 3135TREL), refer to figure 3 for setback on inset or overlay applications.

The accessory kit can be installed on the side, under, or on top of the drawer, but the mechanism needs to be in contact with the back of the drawer front.



SEHDAO-Kit

Senseon Heavy-Duty Auto-Open Kit



Packaging

One SEHDAO-Kit in a polybag (hardware included).

Ordering Instructions

To order the heavy-duty accessory kit specify SEHDAO-Kit

Specifications

SEHDAO-Kit assembly: Polymer
RoHs compliant

NOTE: Specifications, material, prices, terms, and delivery are subject to change without notice.

For the most current technical information visit senseonsecure.com.

For the technical support visit senseonsecure/support

Warranty

Accuride warrants its Senseon products will conform at the time of delivery to specifications expressly agreed to in writing by Buyer and Accuride. Accuride warrants its Senseon products will be free from defects and workmanship during the warranty period. Shipping costs incurred in returning such nonconforming products shall be borne by Accuride. Accuride agrees to replace nonconforming products covered under this warranty for a period of one (1) year from the date of delivery to Buyer. This warranty does not cover products which have been damaged due to misuse, improper installation, or unauthorized repair or alteration. This warranty is for replacement of the defective product only and does not include the cost of removal, installation, or other incidental charges. At its option, Accuride may credit Buyer for an amount not to exceed the original price paid for such products.

There are no express warranties by Accuride other than stated herein. No warranties by Accuride (other than title) shall be implied or otherwise created under any applicable law, including but not limited to a warranty of merchantability and warranty of fitness for a particular purpose.

LIMITATION OF LIABILITY

To the extent permitted by law, Accuride shall not be responsible for, and Buyer hereby assumes the risk of, and hereby releases Accuride for any damages or injuries whatsoever (including, without limitation, incidental or consequential damages, damages for lost profits or business interruption, and punitive damages) caused by or related to any use of Accuride products, regardless of any error, omission, interruption, defect, failure of performance, delay in operation or transmission, even if Accuride has previously been advised of such damages. Notwithstanding the foregoing, Accuride's total liability to Buyer for all losses, damages and causes of action, whether in contract, equity or tort, including negligence and gross negligence, shall not exceed the amount equal to the aggregate price paid for product purchased by Buyer.

These terms are governed by the laws of the State of California. For any claims arising between Buyer and Accuride, the parties agree to submit to the exclusive jurisdiction of the Superior Court of Los Angeles County, California.

Accuride International Inc.
Attn: Senseon Technical Services
Accuride/AF Romero
Calexico, CA 92231
senseonsupport@accuride.com
800-688-8242

Accuride

ACCURIDE INTERNATIONAL INC.

12311 Shoemaker Avenue
 Santa Fe Springs, CA 90670

TEL (562) 903-0200

FAX (562) 903-0208

www.accuride.com

Manufacturing, Engineering, and Sales

United States • Germany • Japan • Mexico • United Kingdom • China