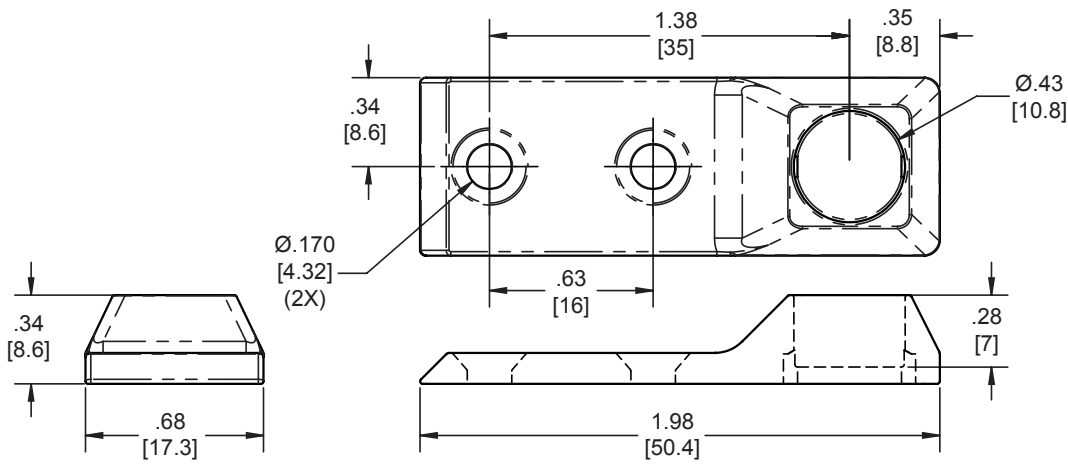


5EL Sliding Door Catch

Accessory kit that provides location options for the 5EL e-lock by receiving the lock striker.



Screw Mount Catch Kit

Inch/mm

Specifications

Finish: Zinc

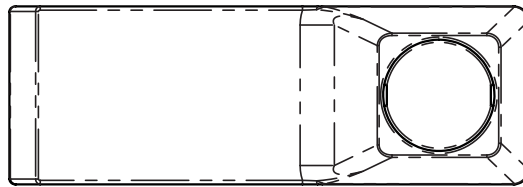
Height: .34" [8.6]

Length: 1.98" [50.4]


Mounting: Screw (included) or Glue (not included)

Mounting Hardware: #6 Flat Head (2X-included)

Options: Glass Mount Catch Kit or Screw Mount Catch Kit



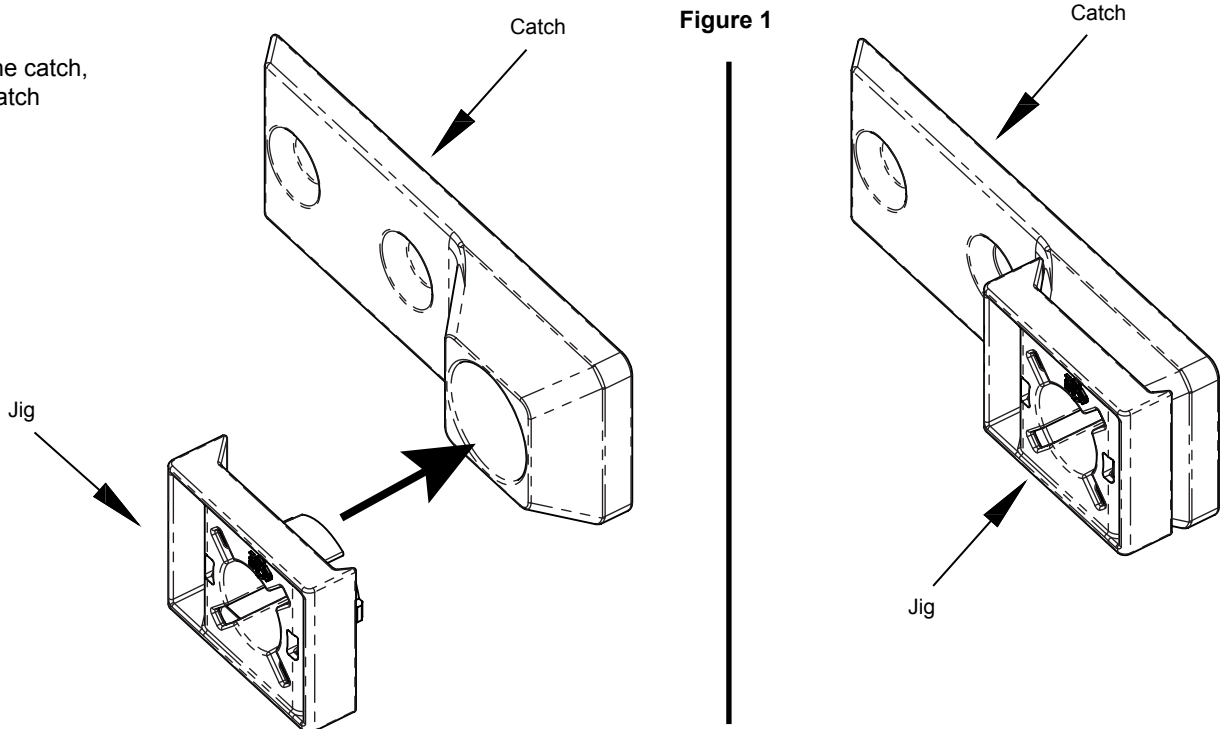
Glass Mount Catch Kit



WARNING! Before installing the lock and the catch, you must have access to manual override lever or the activation device must be connected. **Otherwise, the lock will not unlock and open.**

Installation

First, insert the jig into the catch, by snapping it into the catch cavity. See Figure 1.

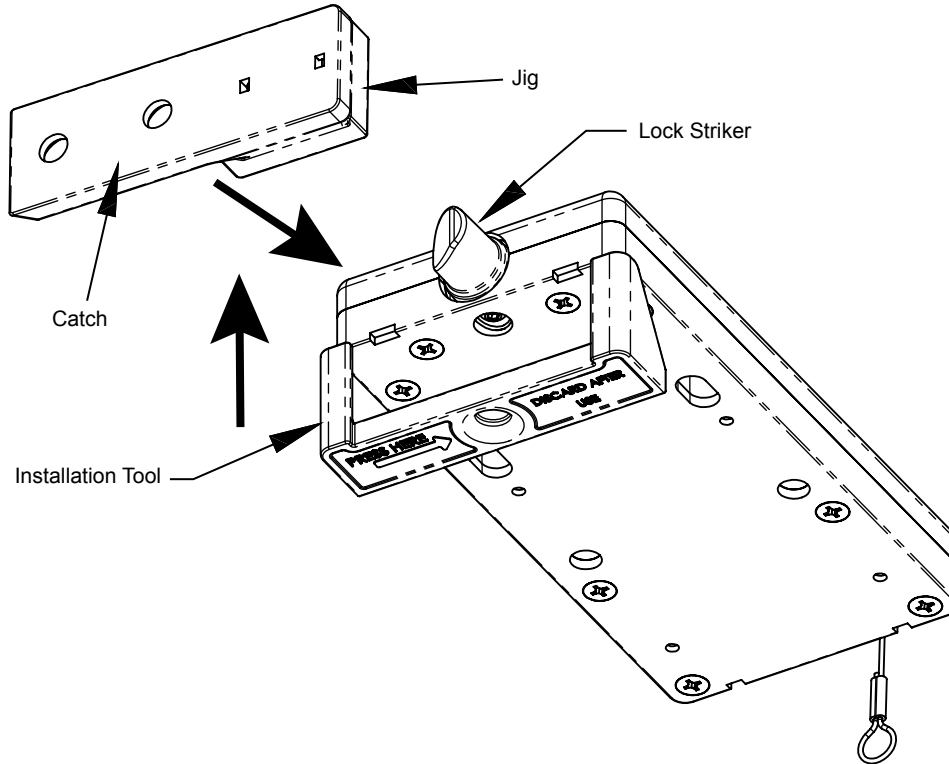


5EL Sliding Door Catch

Accessory kit that provides location options for the 5EL e-lock by receiving the lock striker.

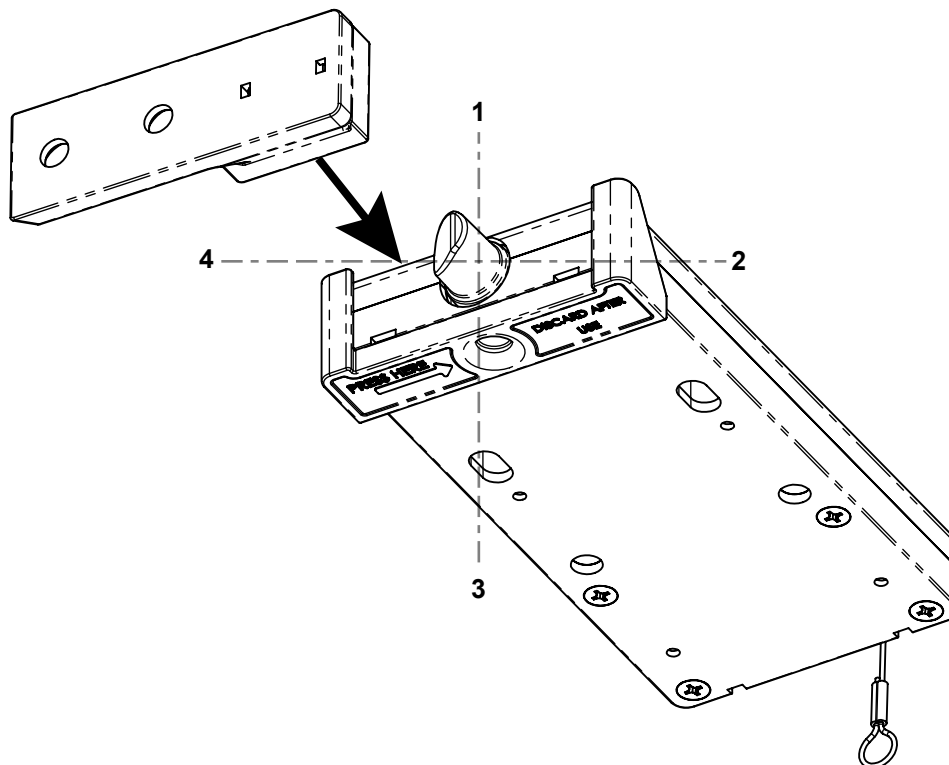
To position the catch on the lock, first, take the installation tool and hold it against the bottom of the lock. Be sure the screw of the lock striker is aligned with the access hole, see Figure 2.

Figure 2



Once the installation tool is in place, hold it and press firmly in the center to hold the lock striker outward. Slide the lock striker into the jig and press firmly to seat the striker into the jig. You will be able to position the catch orientation by placing the catch in 4 possible locations at 90-degree rotation before pressing the striker into the jig. See Figure 3.

Figure 3



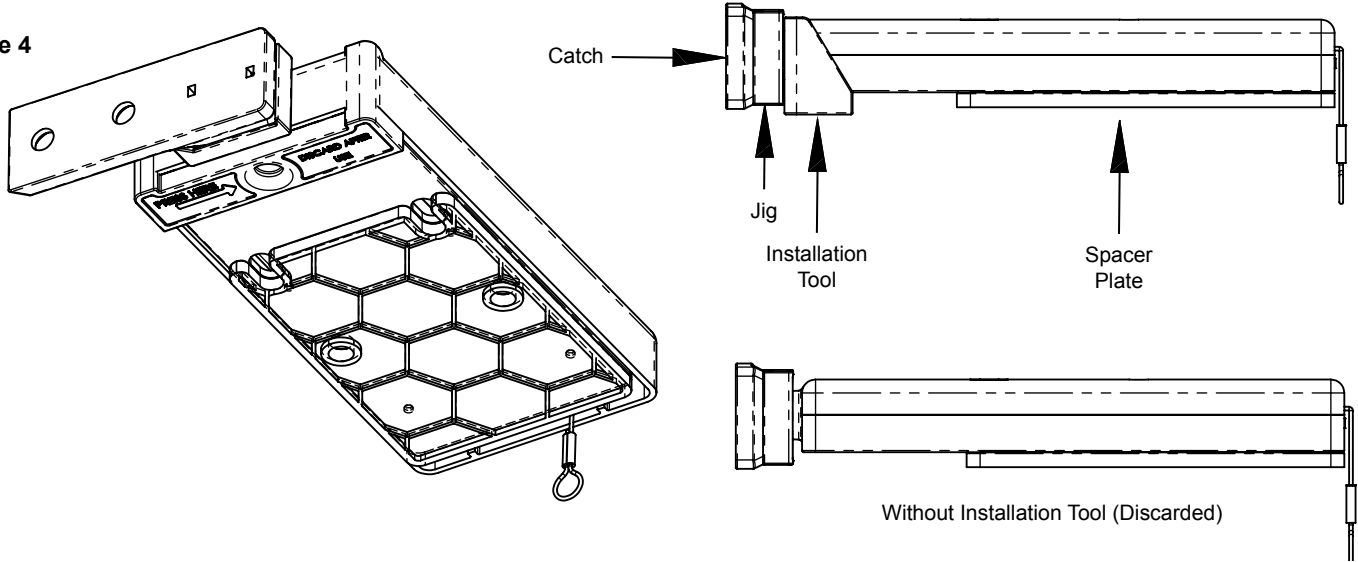
5EL Sliding Door Catch

Accessory kit that provides location options for the 5EL e-lock by receiving the lock striker.



Once the catch is pressed onto the lock striker, the installation tool can be discarded. For the catch installation, you will need the spacer plate (included with the 5EL e-lock). See Figure 4.

Figure 4



To complete the installation for the 5EL lock refer to the 5EL technical sheet for instructions and adjustments. The installation method for the e-lock remains the same however the gap distance from the door to the e-lock increases to accommodate the catch.

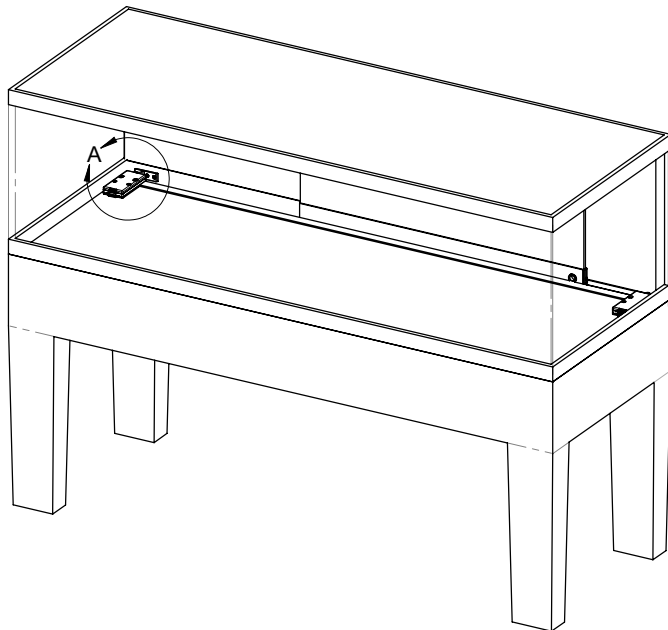
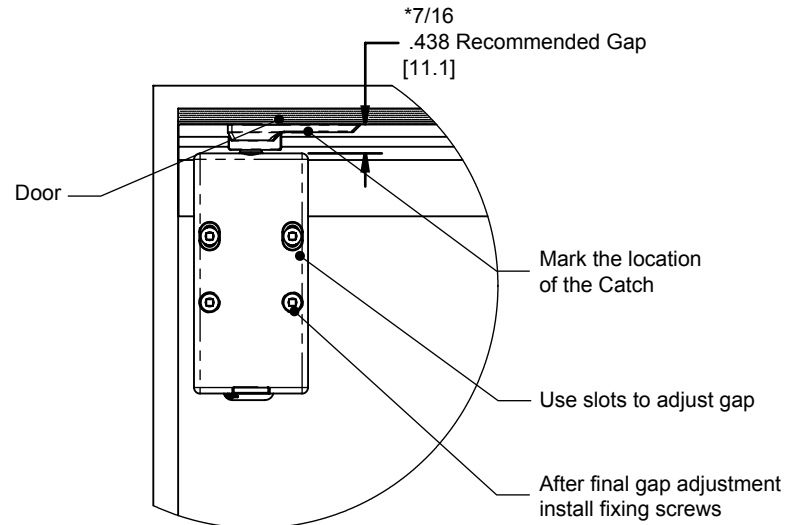


Figure 5



* If using the 5EL Sliding Door Catch Kit adjust the gap distance to accommodate the catch.

To install the Screw Mount Catch use the included screws. To install the Glass Mount Catch follow the recommended adhesive instructions.

5EL Sliding Door Catch

Accessory kit that provides location options for the 5EL e-lock by receiving the lock striker.

Packaging/Ordering Instructions

The 5EL sliding door catch is available in two options:

Glass Mount Catch Kit:

To locate the catch on glass doors. Specify P/N 4180-0763-XE and includes:

- Catch
- Jig
- Installation tool
- Technical sheet

Adhesives are not included. Accuride recommends two adhesives based on the customer's needs and availability. Nano 470 construction adhesive an UV cure metal to glass adhesive, and VersaChem p/n 11109 rear view mirror adhesive. Please follow the manufacture's recommendations for adhesive application and curing.

Screw Mount Catch Kit:

To locate catch on surfaces other than glass (wood or metal). Specify P/N 4180-0764-XE and includes:

- Catch
- Screws (2X)
- Jig
- Installation tool
- Technical sheet

Specifications

Catch: Zinc alloy
RoHs compliant

NOTE: Specifications, material, prices, terms, and delivery are subject to change without notice.

For the most current technical information visit senseonsecure.com.

For the technical support visit senseonsecure/support

Warranty

Accuride warrants its Senseon products will conform at the time of delivery to specifications expressly agreed to in writing by Buyer and Accuride. Accuride warrants its Senseon products will be free from defects and workmanship during the warranty period. Shipping costs incurred in returning such nonconforming products shall be borne by Accuride. Accuride agrees to replace nonconforming products covered under this warranty for a period of one (1) year from the date of delivery to Buyer. This warranty does not cover products which have been damaged due to misuse, improper installation, or unauthorized repair or alteration. This warranty is for replacement of the defective product only and does not include the cost of removal, installation, or other incidental charges. At its option, Accuride may credit Buyer for an amount not to exceed the original price paid for such products.

Any Accuride slide product integrated with the Senseon electronic lock shall be covered by Accuride's standard Limited Lifetime Warranty.

There are no express warranties by Accuride other than stated herein. No warranties by Accuride (other than title) shall be implied or otherwise created under any applicable law, including but not limited to a warranty of merchantability and warranty of fitness for a particular purpose.

LIMITATION OF LIABILITY

To the extent permitted by law, Accuride shall not be responsible for, and Buyer hereby assumes the risk of, and hereby releases Accuride for any damages or injuries whatsoever (including, without limitation, incidental or consequential damages, damages for lost profits or business interruption, and punitive damages) caused by or related to any use of Accuride products, regardless of any error, omission, interruption, defect, failure of performance, delay in operation or transmission, even if Accuride has previously been advised of such damages. Notwithstanding the foregoing, Accuride's total liability to Buyer for all losses, damages and causes of action, whether in contract, equity or tort, including negligence and gross negligence, shall not exceed the amount equal to the aggregate price paid for product purchased by Buyer.

These terms are governed by the laws of the State of California. For any claims arising between Buyer and Accuride, the parties agree to submit to the exclusive jurisdiction of the Superior Court of Los Angeles County, California.

Accuride International Inc.
Attn: Senseon Technical Services
Accuride/AF Romero
Calexico, CA 92231
senseonsupport@accuride.com
800-688-8242



ACCURIDE INTERNATIONAL INC.

12311 Shoemaker Avenue
 Santa Fe Springs, CA 90670

TEL (562) 903-0200
 FAX (562) 903-0208
www.accuride.com

Manufacturing, Engineering, and Sales
 United States • Germany • Japan • Mexico • United Kingdom • China