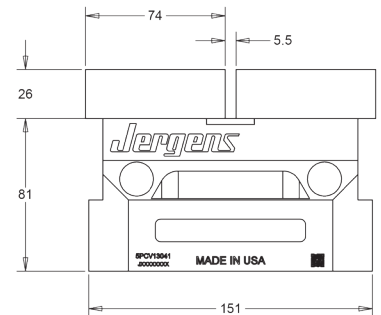
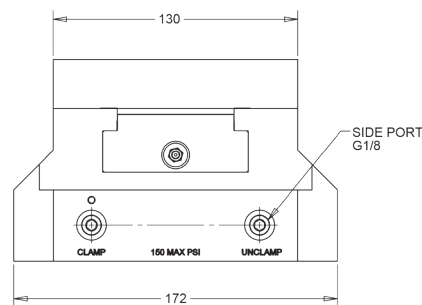
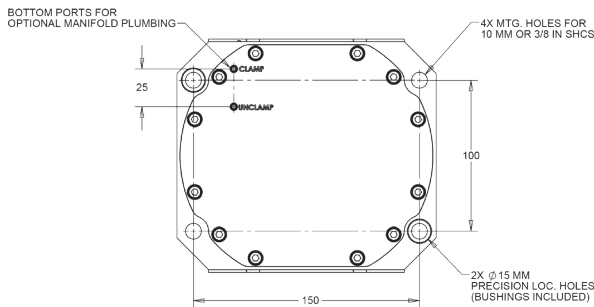




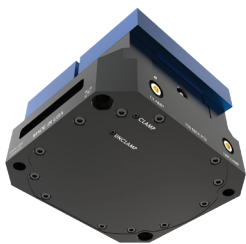
## JERGENS PNEUMATIC SELF-CENTERING VISE



- Double-acting
- Compact design
- Self-centering
- Highly repeatable clamping forces
- Quick-Change Jaws
- Includes aluminum (A) or steel (S) soft jaws
- Internal components treated with hardened low-friction process for enhanced performance and durability
- Bottom ports for manifold plumbing
- Side ports for external line plumbing
- Easy access lubrication ports



Part Number	Clamping Stroke in (mm)	Max. Input Pressure psi (bar)	Min. Input Pressure psi (bar)	Jaw Type	Weight lbs (kg)
5PCV13041-A	0.22 (5.5)	150 (10.4)	50 (3.5)	Aluminum Soft Jaws	28 (12.7)
5PCV13041-S	0.22 (5.5)	150 (10.4)	50 (3.5)	Steel Soft Jaws	33 (15)



Input Pressure		Clamping Force	
PSI	Bar	Lbs	Kgf
50	3.4	1100	499
70	4.8	1540	699
90	6.2	1980	898
110	7.6	2420	1098
130	9	2860	1297
150	10.3	3300	1497

