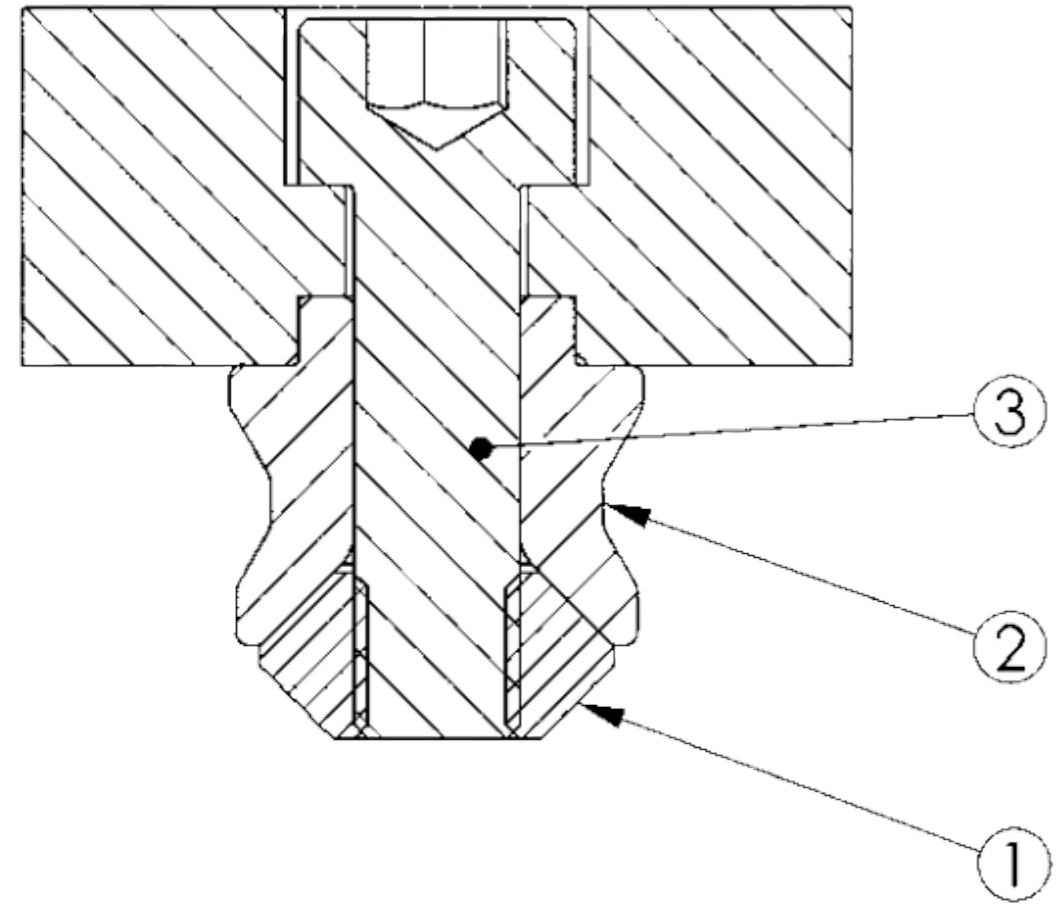
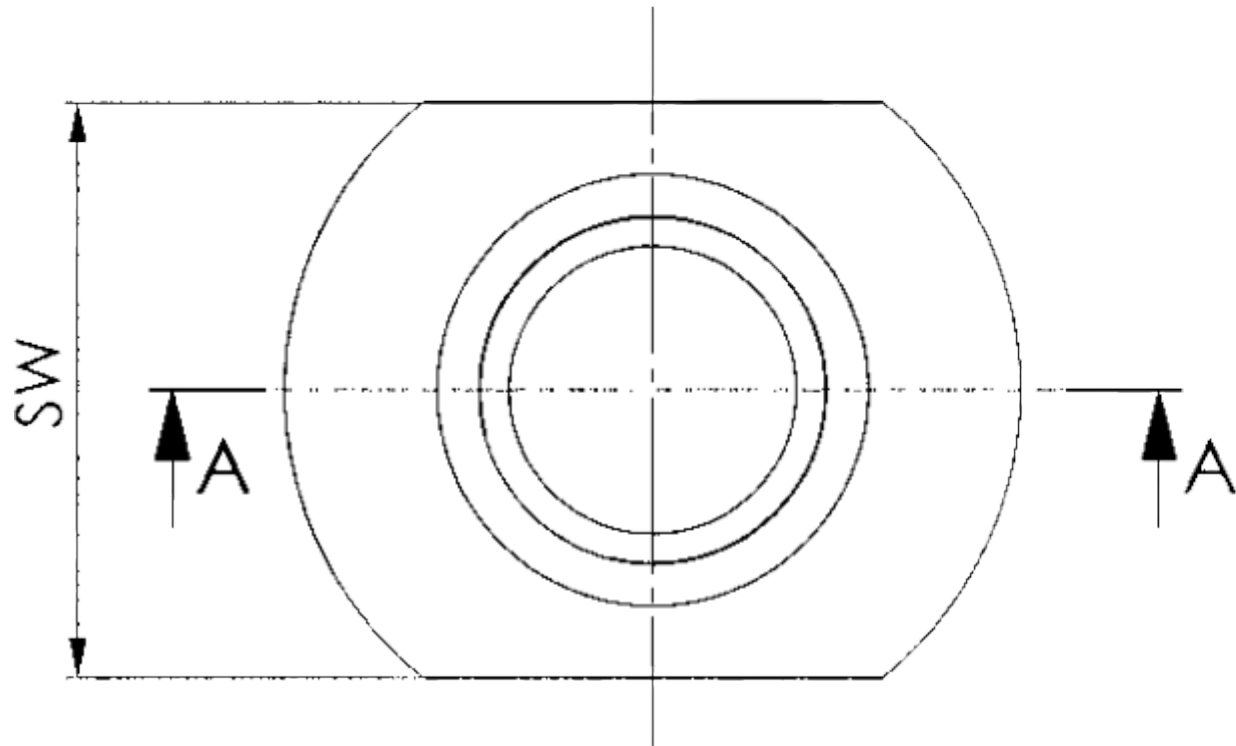


A-A



- 1 = PULL STUD CLAMPING NUT
- 2 = PULL STUD
- 3 = SOCKET HEAD SCREW